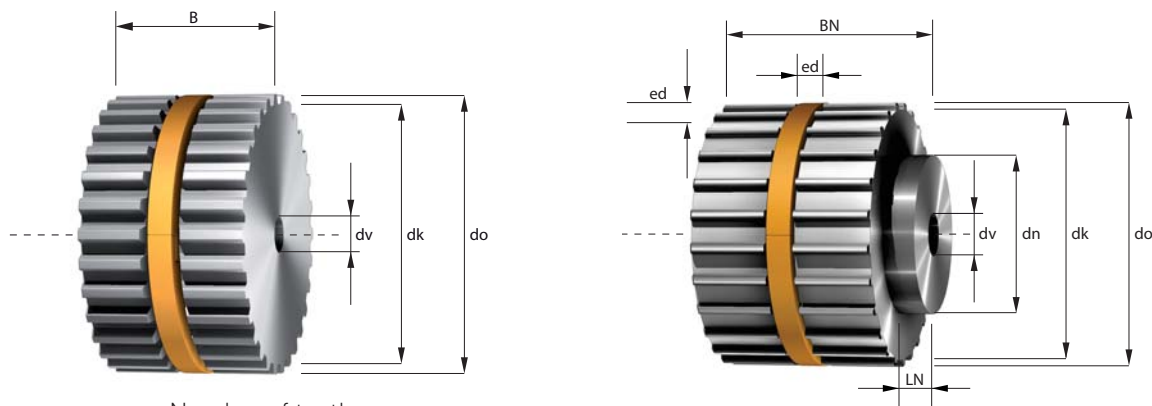


Synchronising pulleys easy drive® Imperial-profile



- z = Number of teeth
- dk = Outside diameter
- do = Pitch diameter
- ed = easy drive® groove
- dv = Diameter of pre-bore
- dmax = max. bore diameter without feather key groove
- dh = Hub diameter
- wh = Hub width

Groove base to max. bore diameter min. 3-4 mm wall thickness

Materials: Stock pulleys - aluminium; special pulleys - steel, gray cast iron, plastics
 Stock rings easy drive® - plastic; special rings - aluminium and steel

| | | | | | |
|---------------|--------------------------------|------|------|------|------|
| MXL T 1/8" | Imperial code | 075 | 100 | 150 | 200 |
| | Belt width = b (mm) | 19,1 | 25,4 | 38,1 | 50,8 |
| | Total width = B (mm) | 21,1 | 27,4 | 40,1 | 52,8 |
| | Total width with hub = BN (mm) | 27,1 | 33,4 | 46,1 | 58,8 |

Starting from z = 34

Min. diameter of the tension rollers without contra-flexure 15 mm, with contra-flexure 18 mm.

| | | | | | | | |
|--------------|--------------------------------|---------------------|------|------|------|------|-------|
| XL T 1/5" | Imperial code | 075 | 100 | 150 | 200 | 300 | 400 |
| | Belt width = b (mm) | 19,1 | 25,4 | 38,1 | 50,8 | 76,2 | 101,6 |
| | Total width = B (mm) | 21,1 | 27,4 | 40,1 | 52,8 | 78,2 | 103,6 |
| | Total width with hub = BN (mm) | B + 5,3/8,1/12,1 mm | | | | | |

Starting from z = 14

Min. diameter of the tension rollers without contra-flexure 30 mm, with contra-flexure 30 mm.

| | | | | | | | | |
|-------------|--------------------------------|--------------|------|------|------|------|-------|-------|
| L T 3/8" | Imperial code | 075 | 100 | 150 | 200 | 300 | 400 | 600 |
| | Belt width = b (mm) | 19,1 | 25,4 | 38,1 | 50,8 | 76,2 | 101,6 | 152,4 |
| | Total width = B (mm) | 21,1 | 27,4 | 40,1 | 52,8 | 78,2 | 103,6 | 154,4 |
| | Total width with hub = BN (mm) | B + 7 / 9 mm | | | | | | |

Starting from z = 10

Min. diameter of the tension rollers without contra-flexure 60 mm, with contra-flexure 120 mm.

| | | | | | | | | |
|-------------|--------------------------------|-------------------------|------|------|------|------|-------|-------|
| H T 1/2" | Imperial code | 075 | 100 | 150 | 200 | 300 | 400 | 600 |
| | Belt width = b (mm) | 19,1 | 25,4 | 38,1 | 50,8 | 76,2 | 101,6 | 152,4 |
| | Total width = B (mm) | 21,1 | 27,4 | 40,1 | 52,8 | 78,2 | 103,6 | 154,4 |
| | Total width with hub = BN (mm) | B + 10 / 8 / 11 / 16 mm | | | | | | |

Starting from z = 14

Min. diameter of the tension rollers without contra-flexure 60 mm, with contra-flexure 80 mm.