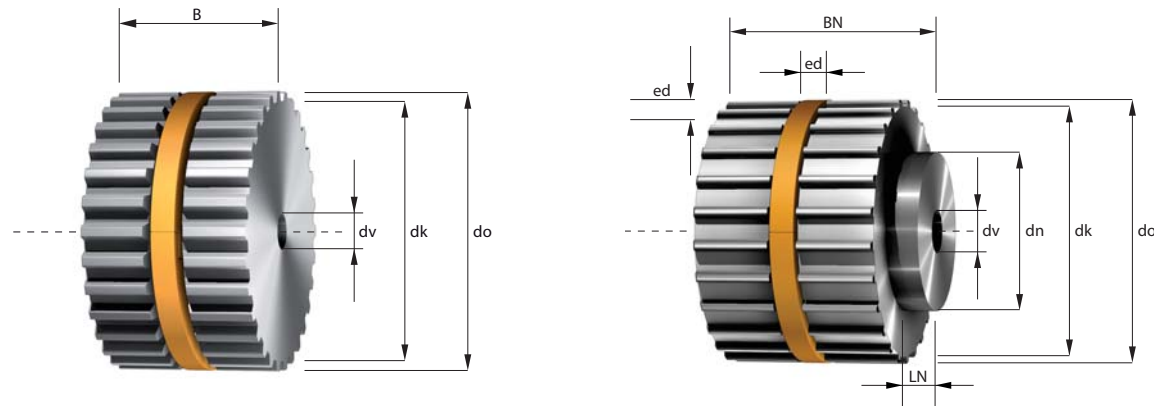


Synchronising pulleys easy drive® for cylindrical bore AT-profile



- z = Number of teeth
- dk = Outside diameter
- do = Pitch diameter
- ed = easy drive® groove
- dv = Diameter of pre-bore
- dmax = max. bore diameter without feather key groove
- dh = Hub diameter
- wh = Hub width

Min. diameter of the tension rollers without contra-flexure 120 mm, with contra-flexure 180 mm.

Belt width = b (mm)	16	25	32	50	75	100	125	150
Total width = B (mm)	18	27	34	52	77	102	127	152
Total width with hub = BN (mm)	28	37	44	62	87	112	137	162

Other widths and larger sizes are available.

AT 20

z	dk (mm)	do (mm)	ed (BxH) (mm)	dv (mm)	dmax (mm)	Hub (BxH) (mm)
18	111,77	114,59	*	12H7	82	70 x 10
19	118,14	120,96	*	12H7	88	80 x 10
20	124,50	127,32	*	16H7	95	90 x 10
21	130,87	133,69	*	16H7	101	90 x 10
22	137,24	140,06	*	16H7	107	90 x 10
23	143,60	146,42	*	16H7	114	90 x 10
24	149,97	152,79	*	16H7	120	95 x 10
25	156,33	159,15	*	16H7	126	95 x 10
26	162,70	165,52	*	16H7	133	95 x 10
27	169,07	171,89	*	16H7	139	110 x 10
28	175,43	178,25	*	16H7	145	110 x 10
29	181,80	184,62	*	16H7	152	110 x 10
30	188,17	190,99	*	16H7	158	110 x 10
31	194,53	197,35	*	16H7	165	110 x 10
32	200,90	203,72	*	16H7	171	110 x 10

z	dk (mm)	do (mm)	ed (BxH) (mm)	dv (mm)	dmax (mm)	Hub (BxH) (mm)
33	207,26	210,08	*	16H7	177	110 x 10
34	213,63	216,45	*	16H7	184	110 x 10
35	220,00	222,82	*	16H7	190	110 x 10
36	226,36	229,18	*	18H7	196	110 x 10
37	232,73	235,55	*	18H7	203	110 x 10
38	239,10	241,92	*	18H7	209	110 x 10
39	245,46	248,28	*	18H7	215	110 x 10
40	251,83	254,65	*	18H7	222	110 x 10
41	258,19	261,01	*	18H7	228	130 x 10
42	264,56	267,38	*	18H7	235	130 x 10
43	270,93	273,75	*	18H7	241	130 x 10
44	277,29	280,11	*	18H7	247	130 x 10
45	283,66	286,48	*	18H7	254	130 x 10
46	290,03	292,85	*	18H7	260	130 x 10
47	296,39	299,21	*	18H7	266	130 x 10

AT 20

z	dk (mm)	do (mm)	ed (BxH) (mm)	dv (mm)	dmax (mm)	Hub (BxH) (mm)
48	302,76	305,58	*	18H7	273	130 x 10
49	309,12	311,94	*	20H7	279	140 x 10
50	315,49	318,31	*	20H7	285	140 x 10
51	321,86	324,68	*	20H7	292	140 x 10
52	328,22	331,04	*	20H7	298	140 x 10
53	334,59	337,41	*	20H7	305	140 x 10
54	340,95	343,77	*	20H7	311	140 x 10
55	347,32	350,14	*	20H7	317	140 x 10
56	353,69	356,51	*	20H7	324	140 x 10
57	360,05	362,87	*	20H7	330	140 x 10
58	366,42	369,24	*	20H7	336	140 x 10
59	372,79	375,61	*	20H7	343	140 x 10
60	379,15	381,97	*	20H7	349	140 x 10
61	385,52	388,34	*	20H7	356	140 x 10
62	391,88	394,70	*	20H7	362	140 x 10
63	398,25	401,07	*	20H7	368	140 x 10
64	404,62	407,44	*	20H7	375	140 x 10
65	410,98	413,80	*	20H7	381	140 x 10
66	417,35	420,17	*	20H7	387	140 x 10
67	423,72	426,54	*	20H7	394	140 x 10
68	430,08	432,90	*	20H7	400	140 x 10
69	436,45	439,27	*	20H7	406	140 x 10
70	442,81	445,63	*	20H7	413	140 x 10
71	449,18	452,00	*	20H7	419	140 x 10
72	455,55	458,37	*	20H7	426	140 x 10
73	461,91	464,73	*	30H7	432	160 x 10
74	468,28	471,10	*	30H7	438	160 x 10
75	474,64	477,46	*	30H7	445	160 x 10
76	481,01	483,83	*	30H7	451	160 x 10
77	487,38	490,20	*	30H7	457	160 x 10
78	493,74	496,56	*	30H7	464	160 x 10
79	500,11	502,93	*	30H7	470	160 x 10
80	506,48	509,30	*	30H7	471	200 x 10
81	512,84	515,66	*	30H7	478	200 x 10
82	519,21	522,03	*	30H7	484	200 x 10
83	525,57	528,39	*	30H7	491	200 x 10
84	531,94	534,76	*	30H7	497	200 x 10
85	538,31	541,13	*	30H7	503	200 x 10
86	544,67	547,49	*	30H7	510	200 x 10
87	551,04	553,86	*	30H7	516	200 x 10
88	557,41	560,23	*	30H7	522	200 x 10
89	563,77	566,59	*	30H7	529	200 x 10
90	570,14	572,96	*	30H7	535	200 x 10
91	576,50	579,32	*	30H7	542	200 x 10
92	582,87	585,69	*	30H7	548	200 x 10

z	dk (mm)	do (mm)	ed (BxH) (mm)	dv (mm)	dmax (mm)	Hub (BxH) (mm)
93	589,24	592,06	*	30H7	554	200 x 10
94	595,60	598,42	*	30H7	561	200 x 10
95	601,97	604,79	*	40H7	567	200 x 10
96	608,33	611,15	*	40H7	573	200 x 10
97	614,70	617,52	*	40H7	580	200 x 10
98	621,07	623,89	*	40H7	586	200 x 10
99	627,43	630,25	*	40H7	592	200 x 10
100	633,80	636,62	*	40H7	599	200 x 10
101	640,17	642,99	*	40H7	605	200 x 10
102	646,53	649,35	*	40H7	612	200 x 10
103	652,90	655,72	*	40H7	618	200 x 10
104	659,26	662,08	*	40H7	624	200 x 10
105	665,63	668,45	*	40H7	631	200 x 10
106	672,00	674,82	*	40H7	637	200 x 10
107	678,36	681,18	*	40H7	643	200 x 10
108	684,73	687,55	*	40H7	650	200 x 10
109	691,10	693,92	*	40H7	656	200 x 10
110	697,46	700,28	*	40H7	662	200 x 10
111	703,83	706,65	*	40H7	669	200 x 10
112	710,19	713,01	*	40H7	675	200 x 10
113	716,56	719,38	*	40H7	682	200 x 10
114	722,93	725,75	*	40H7	688	200 x 10

* On request